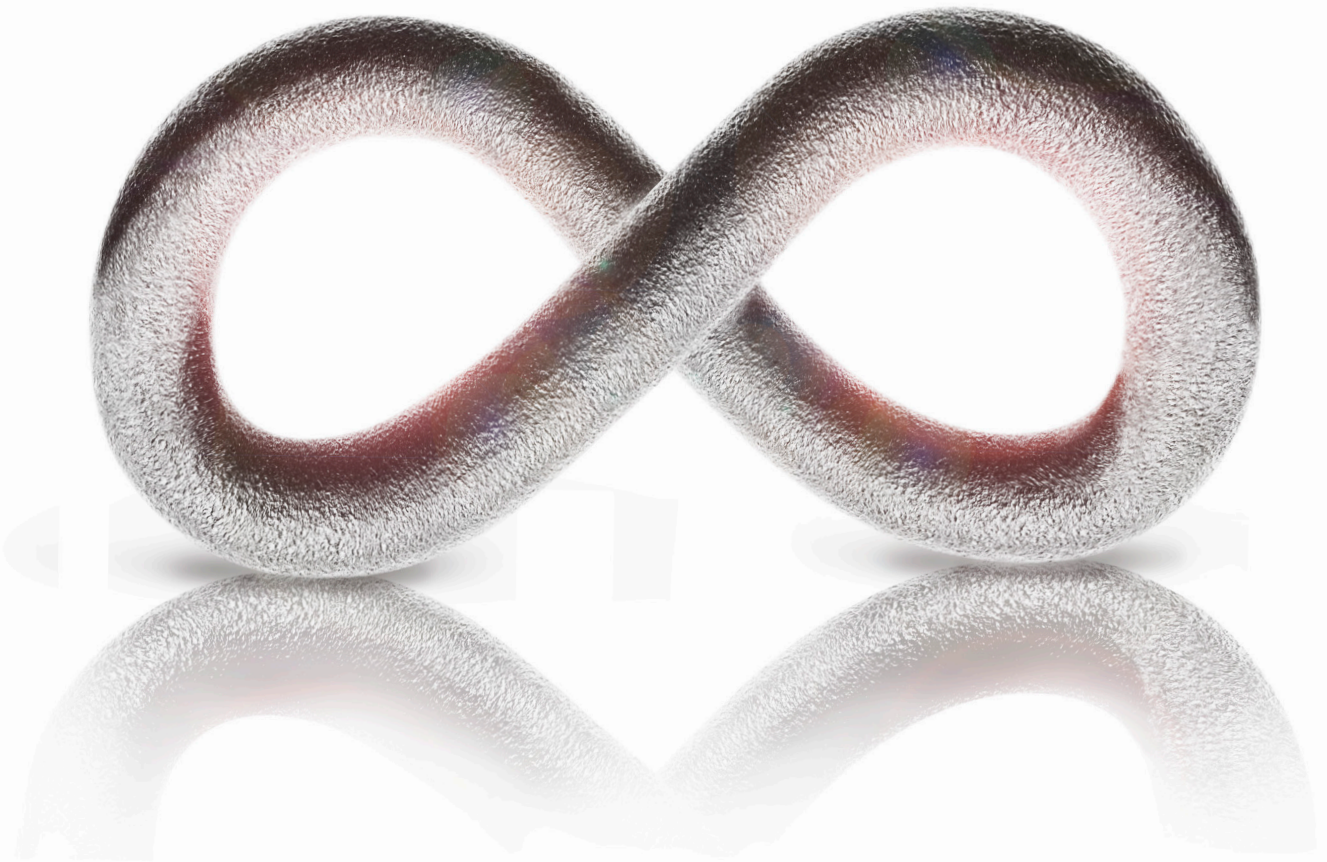




Suzuki Garphyttan

# DELIVERY FORMS

## STAINLESS STEEL WIRE



# Delivery forms

## Stainless steel spring wire

Our stainless grades can be delivered in coils as per below:

Wire size mm	Coil weight kg, approx.	Coil diameter mm, mean
0.51 – 0.80	20 – 70	300/400
0.81 – 1.10	50 – 80	400
1.11 – 1.50	80 – 150	400/600
1.51 – 3.50	100 – 250	600/750
3.51 –	200	600/750



### Carriers – Eddy Current tested wire

Wire size	2.50– 5.60 mm
Weight	800 kg

### Compact coils

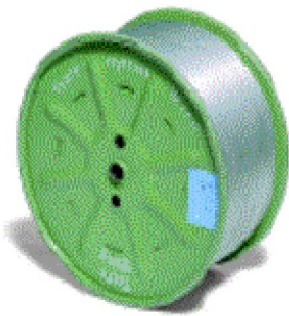
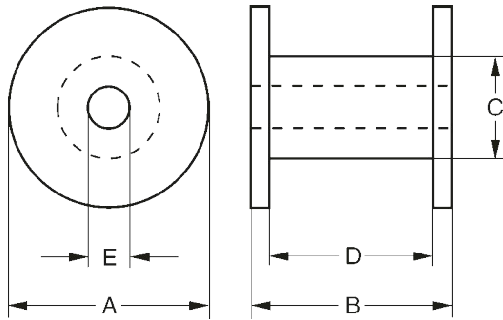
With or without paper core

Size range:	1.50 - 7.00 mm
	Z2                      Z3 (1.50-2.40 mm)    (2.00-7.00 mm)
Inner diameter:	355 mm                      500 mm
Weight:	450 kg                      450-900 kg



# Delivery forms

## Stainless steel spring wire



### Metal spools

Wire Ø mm	Size, mm					Weight
	A	B	C	D	E	kg
0.40	695	314	400	279	33	approx. 125
0.41 – 2.00	695	314	400	279	33	approx. 125-250
1.50 – 3.00	770	445	400	400	33	max. 500



### Wooden spools

Wire size 0.50 – 3.00 mm.

Size, mm					Weight
A	B	C	D	E	kg
750	290	495	242	32	approx. 250

### Plastic reels DIN 8559

Wire size: 0.25 – 1.10 mm

Wire size, mm	Type	Reel size, mm					Weight kg
		A	B	C	D	E	
0.25 – 0.35	SH 460	460	105	319	91	305	approx. 20
0.36 – 1.10	SH 460	460	105	319	91	305	approx. 40



# Delivery forms

## Flat and shaped Stainless Steel

Wooden spool, 250 kg



### Wooden spools

Type	Size, mm				Weight
	A	B	C	D	kg approx.
SP 60	510	235	350	410	60
SP 125	610	225	350	410	125
SP 250	765	235	350	505	250

